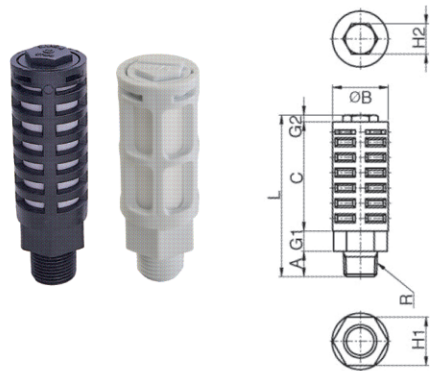


ST



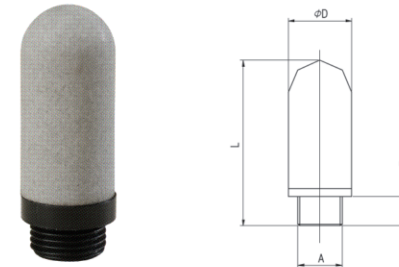
- ▶ **Application** : Used for suppressing the noise of air release, applied to exhausted port of machine.
- ▶ **Material** : PBT, PE
- ▶ **Feature** : Small size used for in low noisy applications.
Made of plastic, very light and strong.
Compact design is suitable for installing in confined space.

MODEL [ØD-T] Tube (Metric) – Thread (R) (mm)

MODEL	R	ØB	L	C	A	H1	H2	G1	G2	W.G(g)	Qty/Inbox
ST M5	M5	7.5	18	-	5	-	-	-	-	0.5	100
ST 01	R 1/8	10.6	36.1	25.7	8	-	5.5	-	2.4	3	100
ST 02	R 1/4	22	63.7	43	10	19	12	8	2.7	10.5	25
ST 03	R 3/8	25	84.5	58	13.5	22	14	10	3.0	18.5	20
ST 04	R 1/2	30	93.5	64	15.5	27	19	10.5	3.5	29.5	12
ST G01	G 1/8	16	41	25	7	14	8	7	2	4.5	50
ST G02	G 1/4	21	64	42.5	10	18	12	10	2.5	12	25
ST G03	G 3/8	25	85	59.5	13	21.5	14.5	10	2.5	19.5	20
ST G04	G 1/2	30	94	67	14	26	19	10	3	30	12

※The color of ST M5, ST G is gray.

SMT



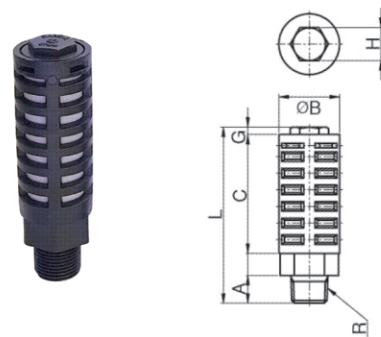
- ▶ **Application** : Used for suppressing the noise of air release, applied to exhausted port of machine.
- ▶ **Material** : PE
- ▶ **Feature** : Used for high flow and pressure applications.
Made of plastic, very light and strong.
Excellent noise suppression effect.

MODEL [ØD-T] Tube (Metric) – Thread (R) (mm)

MODEL	A	F	ØD	L	W.G(g)	Qty/Inbox
SMT M5	M5	4	7	23	0.5	100
SMT G01	G 1/8	6.3	12.5	30	1.5	50
SMT G02	G 1/4	7.4	17	34.5	4	100
SMT G03	G 3/8	10.5	25	65	8	25
SMT G04	G 1/2	10.6	25	67	9	25
SMT G06	G 3/4	16	37	138	40.5	6
SMT G08	G 1	20	48	150	59	15

ST(M)

Silencers (Manifold)

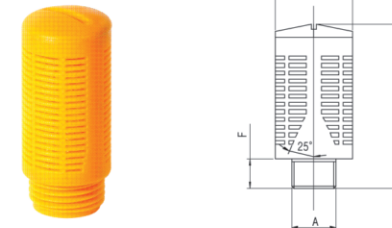


- ▶ **Application** : Used for suppressing the noise of air release, applied to exhausted port of machine.
- ▶ **Material** : PBT, PE
- ▶ **Feature** : Excellent noise suppression effect
Made of plastic, very light and strong.
Compact design is suitable for installing in confined space.

MODEL [ØD-T] Tube (Metric) – Thread (R) (mm)

MODEL	R	ØB	L	C	A	H	G	W.G(g)	Qty/Inbox
ST M02	R 1/4	15	46.5	36	8	10	2.5	4.9	50
ST M03	R 3/8	22	57.7	45	10	12	2.7	13.7	25

SLT

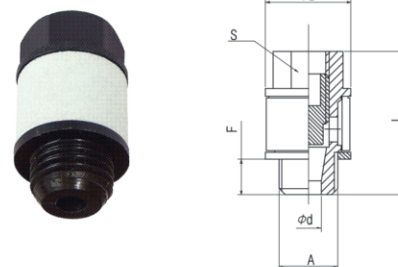


- ▶ **Application** : Used for suppressing the noise of air release, applied to exhausted port of machine.
- ▶ **Material** : PE
- ▶ **Feature** : Used for high flow and pressure applications.
Made of plastic, very light and strong.
Excellent noise suppression effect.

MODEL [ØD-T] Tube (Metric) – Thread (R) (mm)

MODEL	A	ØD	L	F	W.G(g)	Qty/Inbox
SLT G01	G 1/8	16	32	6.5	3.5	100
SLT G02	G 1/4	20	42	8	6	50
SLT G03	G 3/8	24	56	10	12.5	25
SLT G04	G 1/2	24	56	10	14.5	25
SLT G06	G 3/4	48	114	18.5	105.5	4
SLT G08	G 1	48	114	18.5	113.5	4

STP



- ▶ **Application** : Used for suppressing the noise of air release, applied to exhausted port of machine.
- ▶ **Material** : Nylon, PE
- ▶ **Feature** : Small size used for in low noisy applications.
Made of plastic, very light and strong.
Compact design is suitable for installing in confined space.

MODEL [ØD-T] Tube (Metric) – Thread (R) (mm)

MODEL	A	ØD	d	F	S	L	W.G(g)	Qty/Inbox
STP G01	G 1/8	15	3	7	13	20.5	3.5	100
STP G02	G 1/4	18	5	8.7	15	29.2	8.5	100
STP G03	G 3/8	24	8	10	20	38.4	19.5	50